

## APPLICATION

The GMT-R roof fans have many applications in polluted air extraction systems.

Typical Applications:

- local exhaust,
- extracts of polluted air,
- car exhaust extractors.

## CONSTRUCTION

- impellers with straight blades, cast from aluminum alloy,
- canopy made of aluminum sheet,
- housing is welded from steel sheet,
- painted gray RAL7042,
- exhaust muffler as standard,
- service switch as standard,
- adapted to work in a vertical position,
- for installation on flat roofs,
- installation on sloping roofs after using appropriate roof bases (RS-R),
- maximum temperature of the pumped medium is 80°C,
- ambient temperature from -15°C to + 40°C (all single-phase models),
- ambient temperature from -30°C to + 60°C (three-phase models from 60 to 200),
- ambient temperature from -20°C to + 40°C (three-phase models from 300 to 500).



## ELECTRIC MOTOR

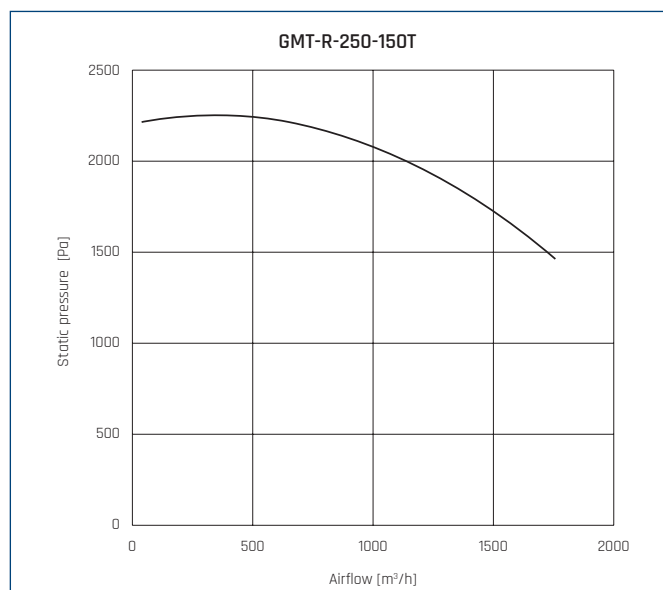
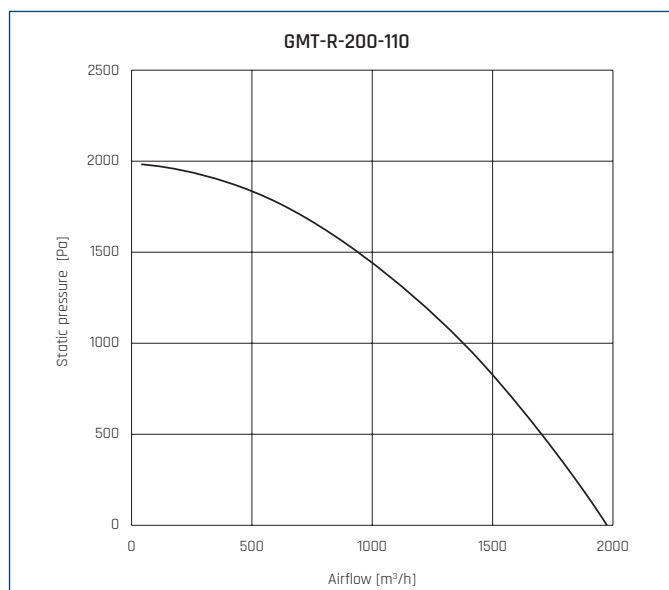
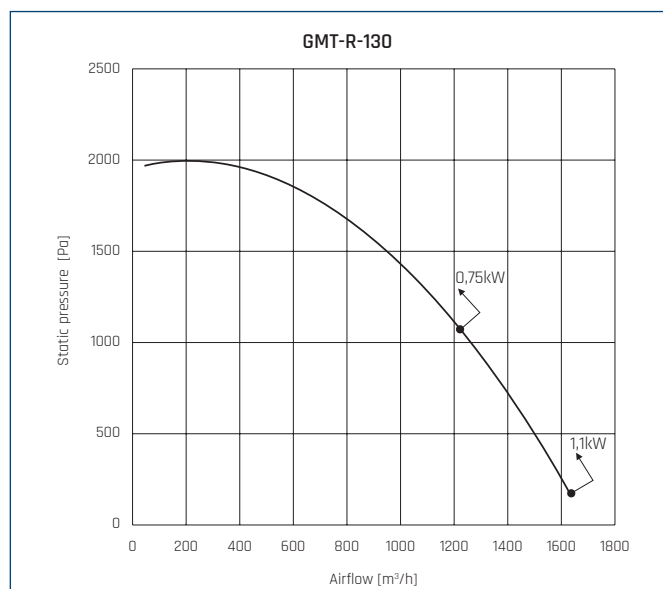
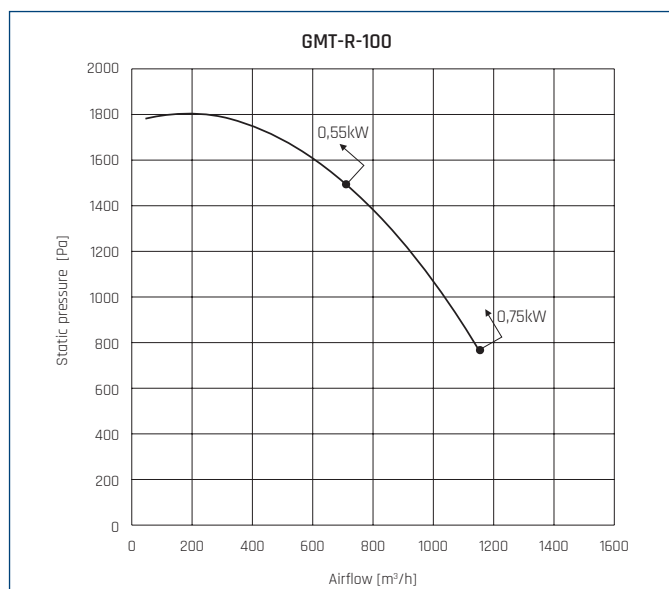
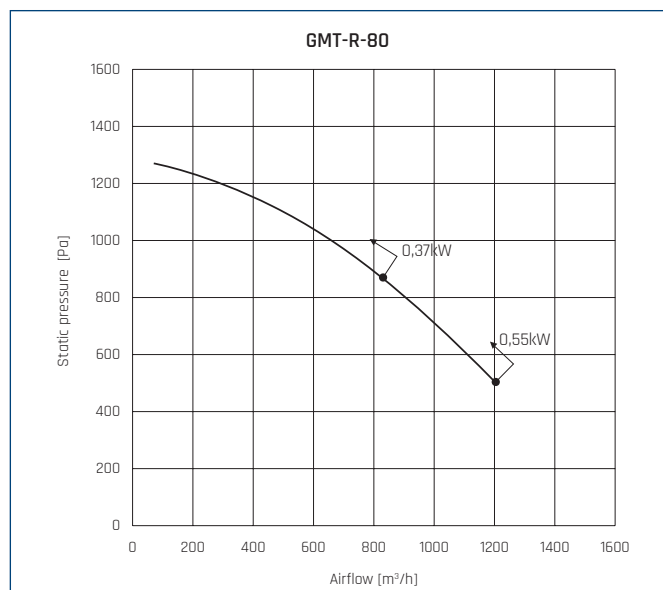
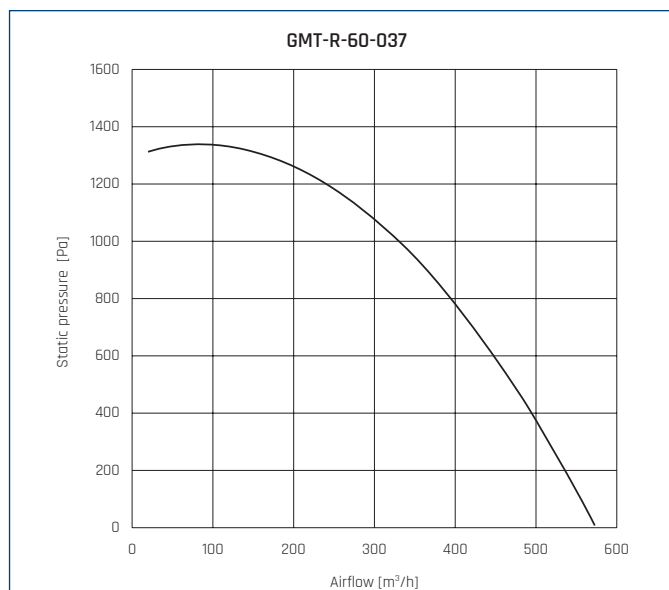
- asynchronous, three-phase 230 / 400V, 50Hz or 400 / 690V, 50Hz,
- asynchronous, single-phase 230V, 50Hz (depending on the fan model and motor power),
- insulation class F,
- degree of protection IP55,
- three-phase motors adapted to frequency regulation in the range of 25-50Hz.

## DANE TECHNICZNE

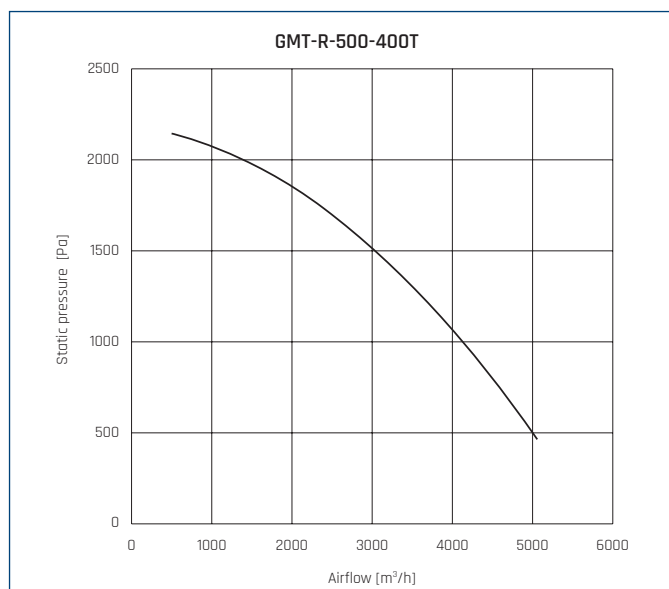
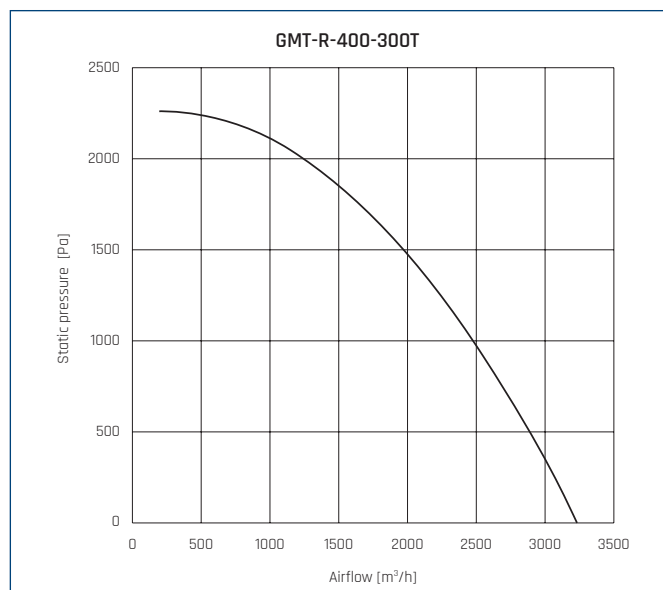
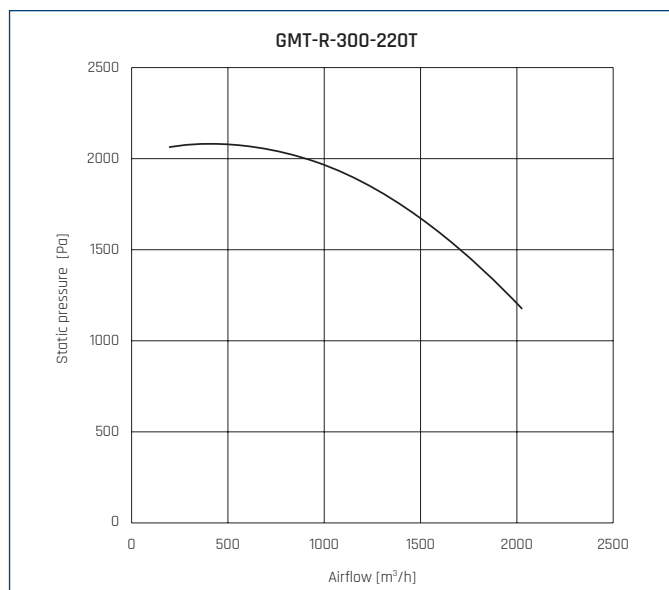
Typ	speed	rated power	absorbed current	voltage	airflow max	static pressure	sound pressure level*	weight	article number
	[rpm]	[kW]	[A]	[V]	[m³/h]	[Pa]	[dB(A)]	[kg]	
GMT-R -60-037S	2760	0,37	3	230	580	1360	70	18,2	42552200
GMT-R -60-037T	2800	0,37	1,75 / 1,0	230/400	580	1360	70	16,9	42552205
GMT-R -80-037S	2760	0,37	3	230	810	1235	71	21,9	42552210
GMT-R -80-037T	2800	0,37	1,75 / 1,0	230/400	810	1235	71	20,6	42552215
GMT-R -80-055S	2780	0,55	3,6	230	1200	1235	73	22,9	42552220
GMT-R -80-055T	2790	0,55	2,35 / 1,35	230/400	1200	1235	73	21,8	42552225
GMT-R -100-055S	2780	0,55	3,6	230	690	1800	72	24	42552230
GMT-R -100-055T	2790	0,55	2,35 / 1,35	230/400	690	1800	72	22,9	42552235
GMT-R -100-075S	2800	0,75	5	230	1150	1800	73	26,3	42552240
GMT-R -100-075T	2890	0,75	3,30 / 1,90	230/400	1150	1800	74	27,2	43552245
GMT-R -130-075S	2800	0,75	5	230	1230	2000	75	27,3	42552250
GMT-R -130-075T	2890	0,75	3,30 / 1,90	230/400	1230	2000	75	28,2	43552255
GMT-R -130-110S	2780	1,1	7,2	230	1635	2000	75	27,4	42552260
GMT-R -130-110T	2890	1,1	4,3 / 2,5	230/400	1635	2000	75	29,5	43552265
GMT-R -200-110S	2780	1,1	7,2	230	1990	1940	77	30,4	42552270
GMT-R -200-110T	2890	1,1	4,3 / 2,5	230/400	1990	1940	77	32,5	43552275
GMT-R -250-150T	2880	1,5	5,25 / 3,0	230/400	1760	2300	79	41,6	43552280
GMT-R -300-220T	2895	2,2	7,9 / 4,6	230/400	2030	2070	79	42,4	43552285
GMT-R -400-300T	2870	3	11,0 / 6,3	230/400	3260	2200	82	48,5	43552290
GMT-R -500-400T	2895	4	7,2 / 4,2	400/690	5050	2170	83	75,9	43552295

\* measurement made at a distance of 1,5m from the outlet, for Q = 2/3 Qmax

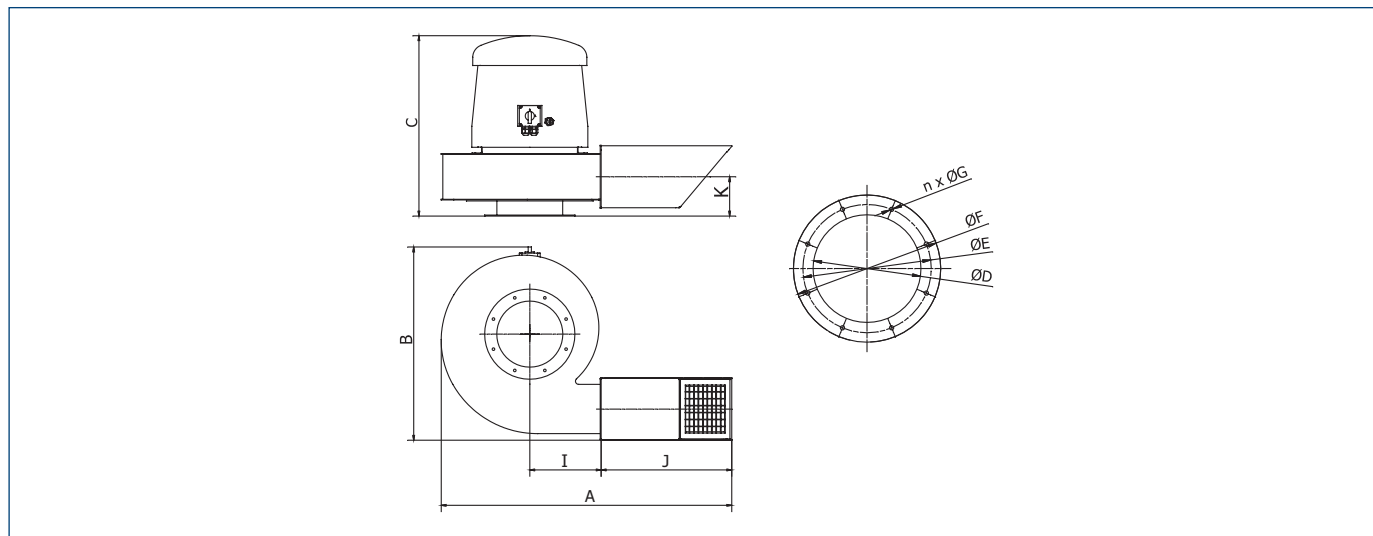
## CHARAKTERYSTYKI PRACY



## CHARAKTERYSTYKI PRACY

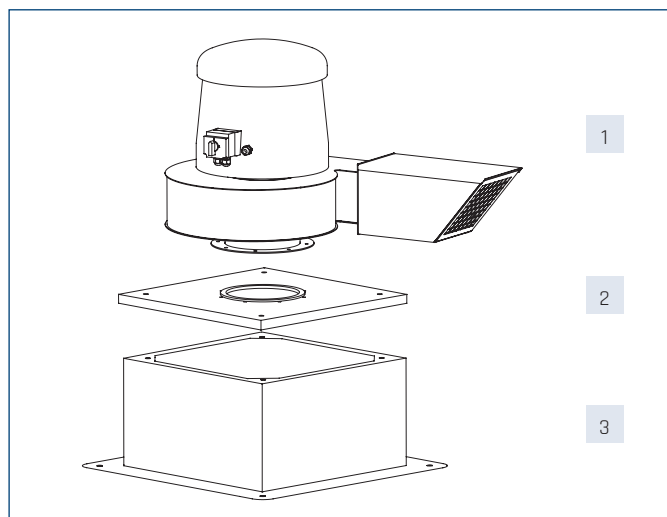


## DIMENSIONS [mm]



Type	A	B	C	ØD	ØE	ØF	ØG	H	I	J	K	x n
GMT-R 60	810	450	425	100	125	145	6	215	203	400	93	8
GMT-R 80	860	450	470	160	185	205	6	215	203	450	115	8
GMT-R 100	815	491	455	160	194	215	7	245	216	375	101	6
GMT-R 130	815	491	455	160	194	215	7	245	216	375	101	6
GMT-R 200	902	579	534	160	194	215	7	309	222	405	107	6
GMT-R 250	902	579	534	160	194	215	7	309	222	405	107	6
GMT-R 300	902	579	564	200	244	280	8	309	222	405	122	8
GMT-R 400	902	579	589	200	244	280	8	309	222	405	122	8
GMT-R 500	1102	585	741	315	344	368	11	317	222	600	223	8

## ACCESSORY ASSEMBLY



1	2	3
Type	adapter	roof base
GMT-R-60	ADAPTER RS435, GMT-R-60	RS 435
GMT-R-80	ADAPTER RS435, GMT-R-80	RS 435
GMT-R-100	ADAPTER RS435, GMT-R-100/130/200/250	RS 435
GMT-R-130	ADAPTER RS435, GMT-R-100/130/200/250	RS 435
GMT-R-200	ADAPTER RS435, GMT-R-100/130/200/250	RS 435
GMT-R-250	ADAPTER RS435, GMT-R-100/130/200/250	RS 435
GMT-R-300	ADAPTER RS560, GMT-R-300/400	RS 560
GMT-R-400	ADAPTER RS560, GMT-R-300/400	RS 560
GMT-R-500	ADAPTER RS560, GMT-R-500	RS 560

## Article numbers

RS 435	43526020	ADAPTER RS435, GMT-R-60	25511006-18	ADAPTER RS435, GMT-R-80	25511000-21	ADAPTER RS435, GMT-R-100/130/200/250	25511044-19
RS 560	43526030	ADAPTER RS560, GMT-R-300/400	25511172-10	ADAPTER RS560, GMT-R-500	25511172-12		



flat roof up  
stand RS

inverter