

### Application

- Fan designed for transporting non-aggressive and non-explosive gases without contamination. Typical applications:
- pneumatic transport,
- blowing in drying systems (eg graphic machines and plastics processing),
- air blowing systems in combustion / heat treatment systems (eg melting furnaces).

### Construction

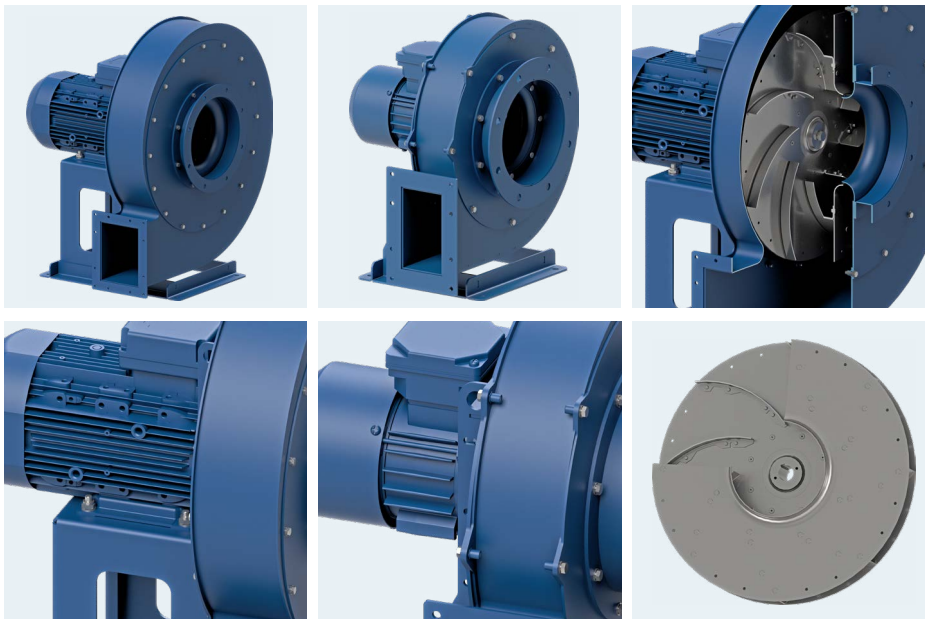
- medium-pressure centrifugal fan with direct drive,
- riveted impeller from galvanized sheet steel with backwardscurved blades, dynamically balanced according to ISO 1940-1,
- painted steel housing, foot and motor base,
- motor base from model 400 and larger, fan foot in smaller models,
- fan painted blue RAL 5010,
- maximum temperature of the transported medium is 80°C,
- ambient temperature range from -20°C to +40°C,
- figure LG270.

### Electric motor

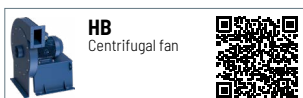
- asynchronous, three-phase, 230/400V, 50Hz (power to 3kW),
- asynchronous, three-phase, 400/690V, 50Hz (power 11.0kW),
- efficiency class IE3,
- degree of protection IP55,
- insulation class F,
- motors are adapted for frequency converter.

### Special executions

- different position LG/RD,
- painting in a different color,
- impeller made of aluminum,
- impeller made of stainless steel 1.4301,
- impeller made of acid-proof steel 1.4404,
- different motor voltage and frequency,
- different motor degree of protection,
- motor equipped with sensor or additional cooling,
- ambient temperature range below -20°C and above +40°C.



### RELATED PRODUCTS



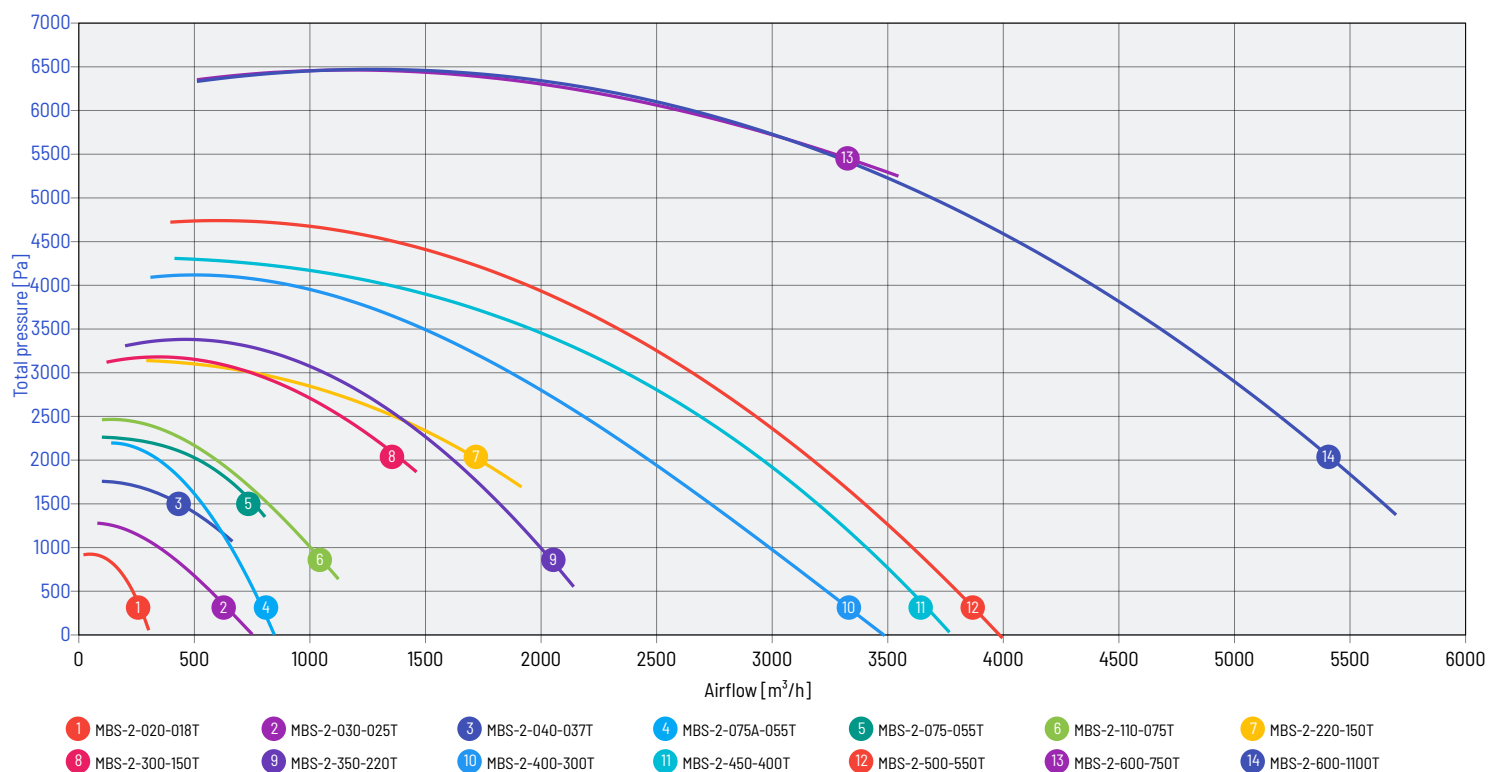


## NOMINAL DATA

type	airflow max	pressure max	speed	voltage rated	current max abs.	power motor	sound pressure level*	temperature operating min / max	temperature ambient min / max	weight	ErP	figure	article number
MBS-2-020-018T	300 m <sup>3</sup> /h	920 Pa	2 760 rpm	3~400 V	0,5 A	0,18 kW	67 dB(A)	-20 / 80 °C	-20 / 40 °C	13,0 kg	excluded	LG270	435531700
MBS-2-030-025T	750 m <sup>3</sup> /h	1 280 Pa	2 790 rpm	3~400 V	0,65 A	0,25 kW	71 dB(A)	-20 / 80 °C	-20 / 40 °C	16,0 kg	2015	LG270	435531710
MBS-2-040-037T	655 m <sup>3</sup> /h	1 765 Pa	2 870 rpm	3~400 V	0,95 A	0,37 kW	74 dB(A)	-20 / 80 °C	-20 / 40 °C	22,0 kg	2015	LG270	435531720
MBS-2-075A-055T	860 m <sup>3</sup> /h	2 220 Pa	2 870 rpm	3~400 V	1,25 A	0,55 kW	74 dB(A)	-20 / 80 °C	-20 / 40 °C	27,0 kg	2015	LG270	435531728
MBS-2-075-055T	795 m <sup>3</sup> /h	2 280 Pa	2 870 rpm	3~400 V	1,25 A	0,55 kW	76 dB(A)	-20 / 80 °C	-20 / 40 °C	27,0 kg	2015	LG270	435531730
MBS-2-110-075T	1 120 m <sup>3</sup> /h	2 470 Pa	2 890 rpm	3~400 V	1,9 A	0,75 kW	79 dB(A)	-20 / 80 °C	-20 / 40 °C	31,0 kg	2015	LG270	435531740
MBS-2-220-150T	1 900 m <sup>3</sup> /h	3 145 Pa	2 880 rpm	3~400 V	3 A	1,5 kW	79 dB(A)	-20 / 80 °C	-20 / 40 °C	55,0 kg	2015	LG270	435531750
MBS-2-300-150T	1 450 m <sup>3</sup> /h	3 485 Pa	2 880 rpm	3~400 V	3 A	1,5 kW	80 dB(A)	-20 / 80 °C	-20 / 40 °C	52,0 kg	2015	LG270	435531760
MBS-2-350-220T	2 150 m <sup>3</sup> /h	3 225 Pa	2 895 rpm	3~400 V	4,5 A	2,2 kW	82 dB(A)	-20 / 80 °C	-20 / 40 °C	52,0 kg	2015	LG270	435531765
MBS-2-400-300T	3 500 m <sup>3</sup> /h	4 130 Pa	2 870 rpm	3~400 V	6,3 A	3 kW	85 dB(A)	-20 / 80 °C	-20 / 40 °C	79,0 kg	2015	LG270	435531770
MBS-2-450-400T	3 750 m <sup>3</sup> /h	4 300 Pa	2 895 rpm	3~400 V	7 A	4 kW	88 dB(A)	-20 / 80 °C	-20 / 40 °C	82,0 kg	2015	LG270	435531772
MBS-2-500-550T	4 000 m <sup>3</sup> /h	4 780 Pa	2 890 rpm	3~400 V	9,8 A	5,5 kW	88 dB(A)	-20 / 80 °C	-20 / 40 °C	100,0 kg	2015	LG270	435531775
MBS-2-600-750T	3 550 m <sup>3</sup> /h	6 500 Pa	2 885 rpm	3~400 V	14 A	7,5 kW	91 dB(A)	-20 / 80 °C	-20 / 40 °C	134,0 kg	2015	LG270	435531778
MBS-2-600-1100T	5 700 m <sup>3</sup> /h	6 500 Pa	2 900 rpm	3~400 V	19,1 A	11 kW	91 dB(A)	-20 / 80 °C	-20 / 40 °C	156,0 kg	2015	LG270	435531780

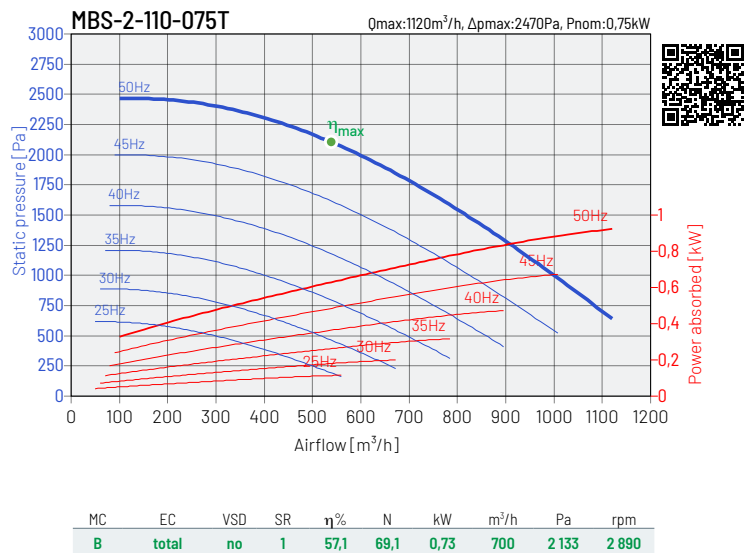
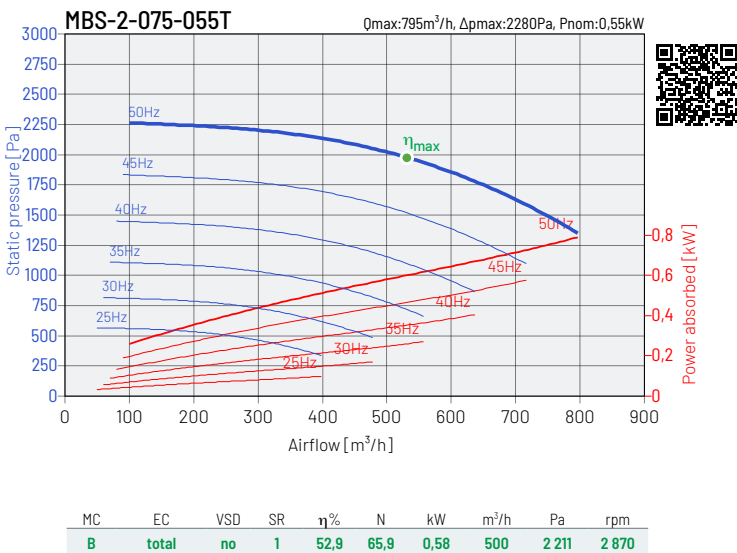
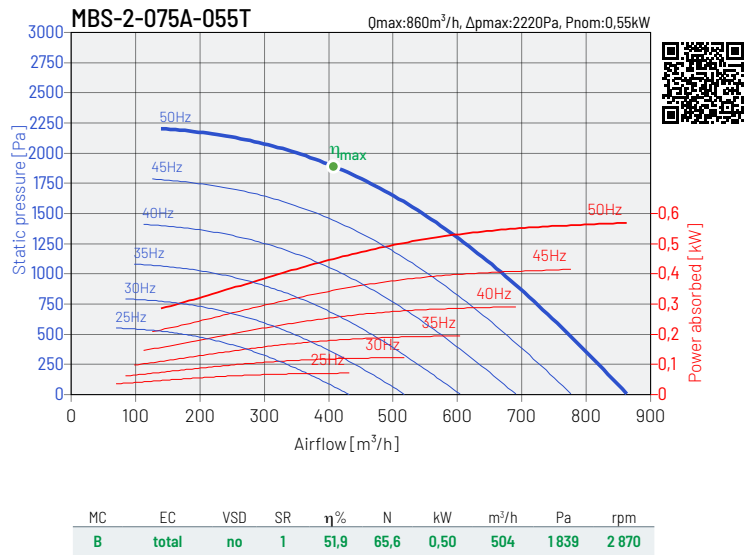
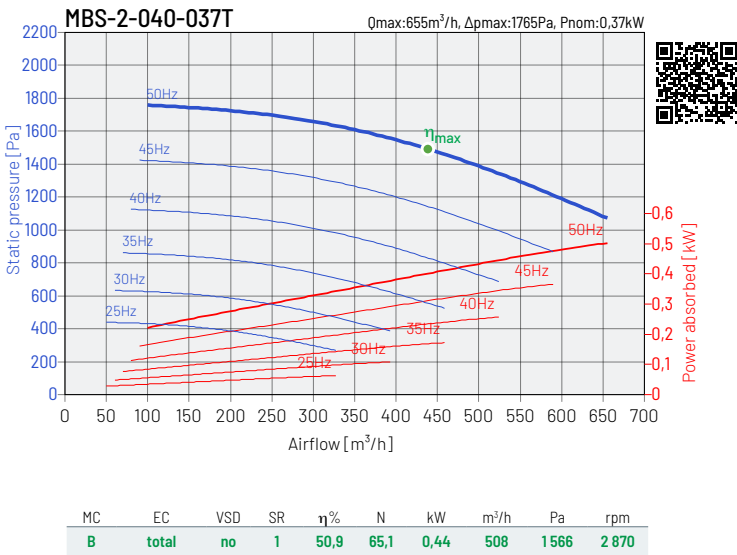
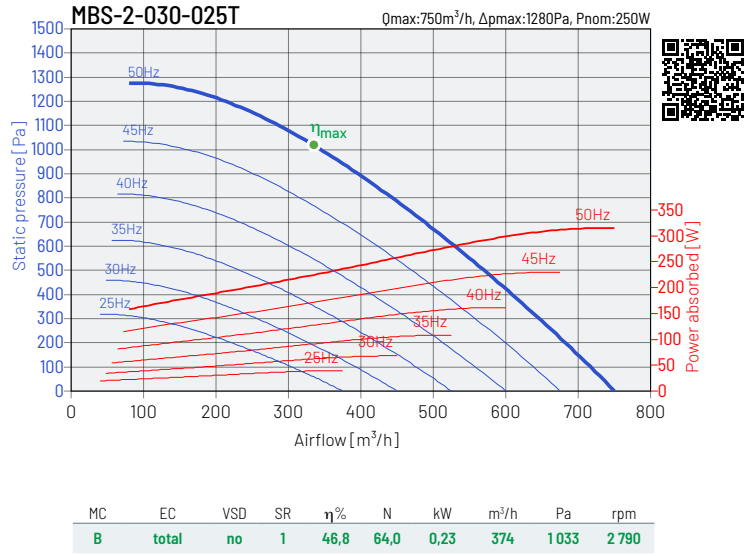
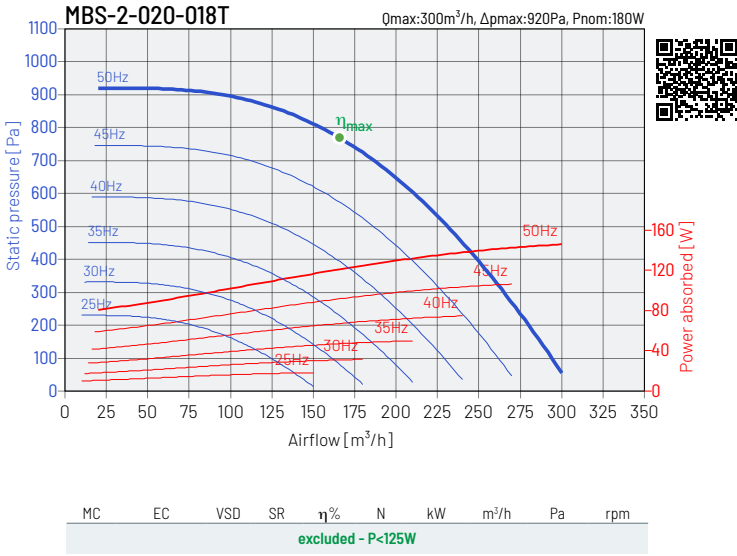
\*measurement made at a distance of 1.5m from the outlet, for  $\eta_{max}$

## PERFORMANCE CHARACTERISTICS OF THE FANS



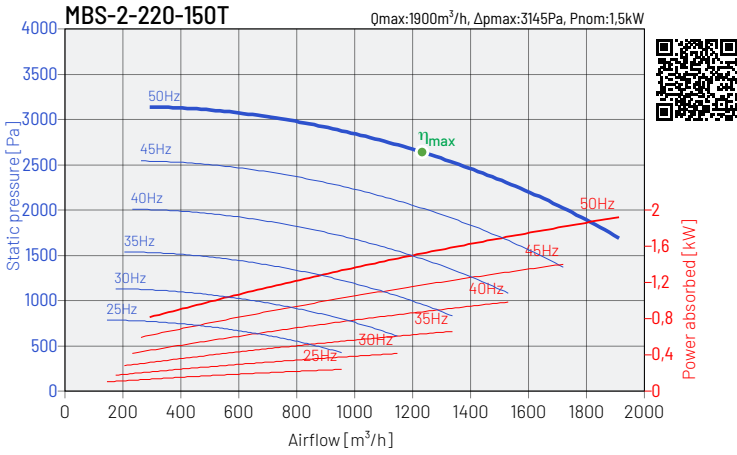


## PERFORMANCE CHARACTERISTICS

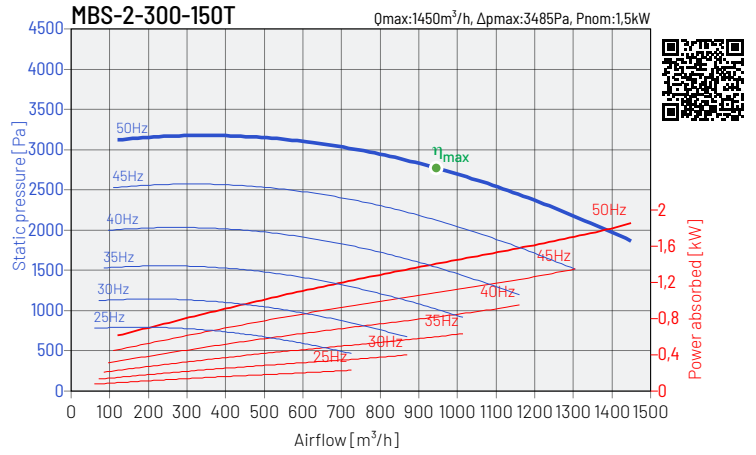




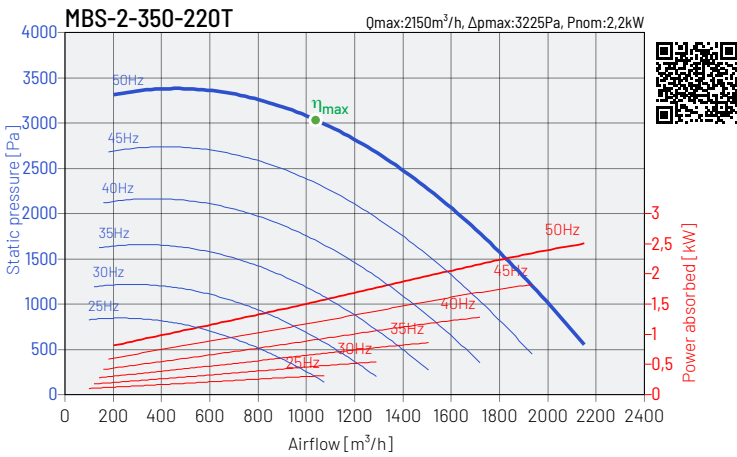
## PERFORMANCE CHARACTERISTICS



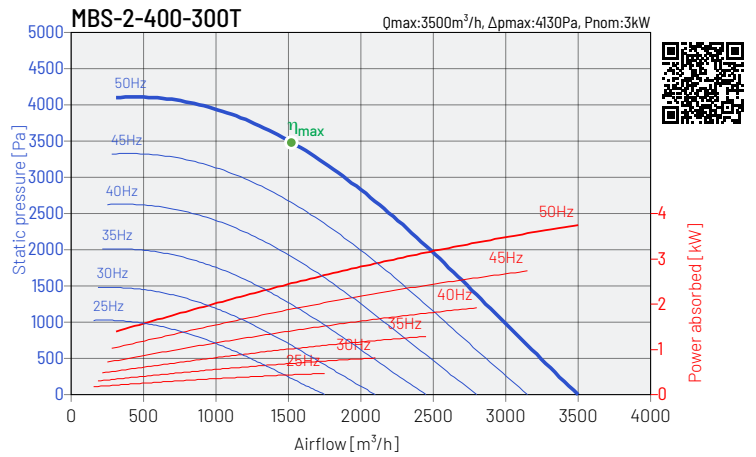
MC	EC	VSD	SR	$\eta\%$	N	kW	m <sup>3</sup> /h	Pa	rpm
B	total	no	1	63,6	72,0	1,58	1368	2652	2880



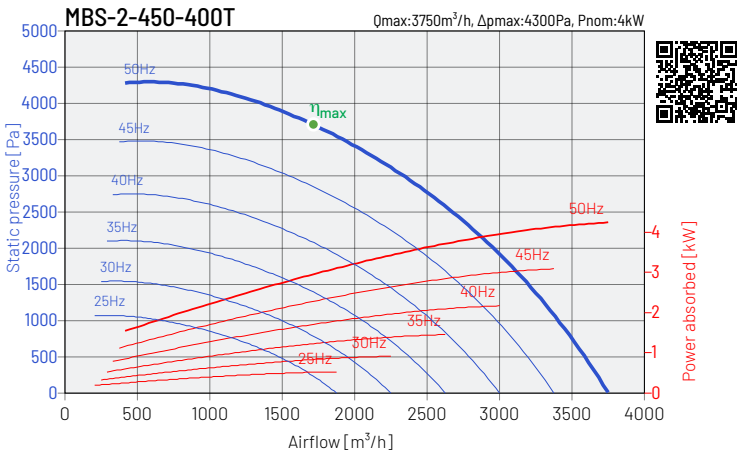
MC	EC	VSD	SR	$\eta\%$	N	kW	m <sup>3</sup> /h	Pa	rpm
B	total	no	1	58,6	67,2	1,53	1106	2918	2880



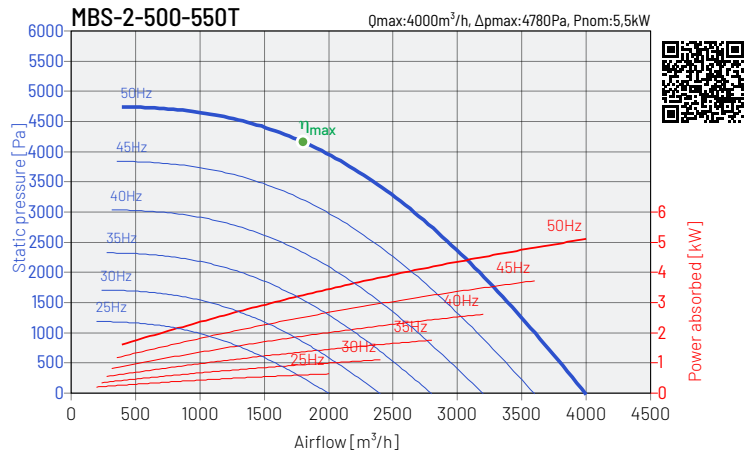
MC	EC	VSD	SR	$\eta\%$	N	kW	m <sup>3</sup> /h	Pa	rpm
B	total	no	1	64,9	72,8	1,78	1321	3154	2895



MC	EC	VSD	SR	$\eta\%$	N	kW	m <sup>3</sup> /h	Pa	rpm
B	total	no	1	66,1	72,1	2,71	1800	3582	2870



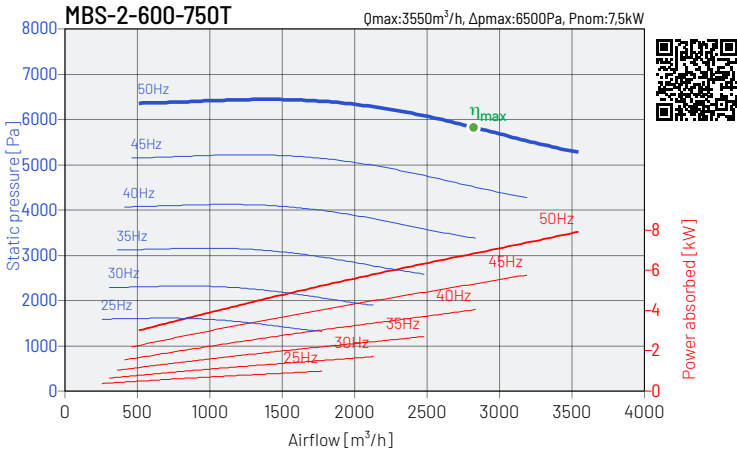
MC	EC	VSD	SR	$\eta\%$	N	kW	m <sup>3</sup> /h	Pa	rpm
B	total	no	1	63,8	69,0	3,05	1804	3843	2895



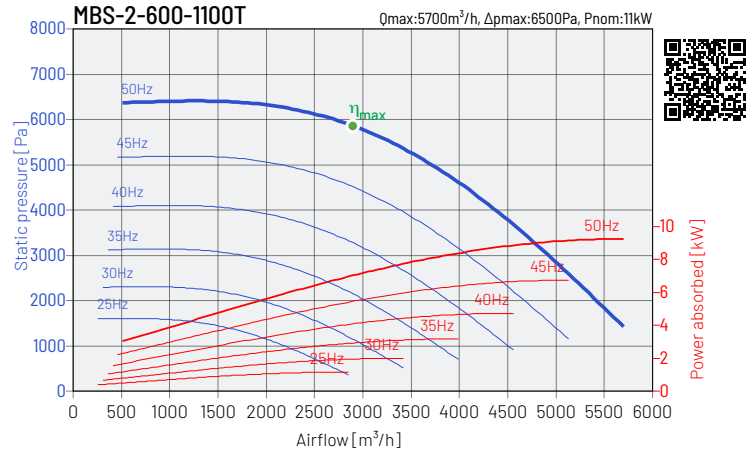
MC	EC	VSD	SR	$\eta\%$	N	kW	m <sup>3</sup> /h	Pa	rpm
B	total	no	1	69,9	74,8	3,47	2030	4299	2890



PERFORMANCE CHARACTERISTICS



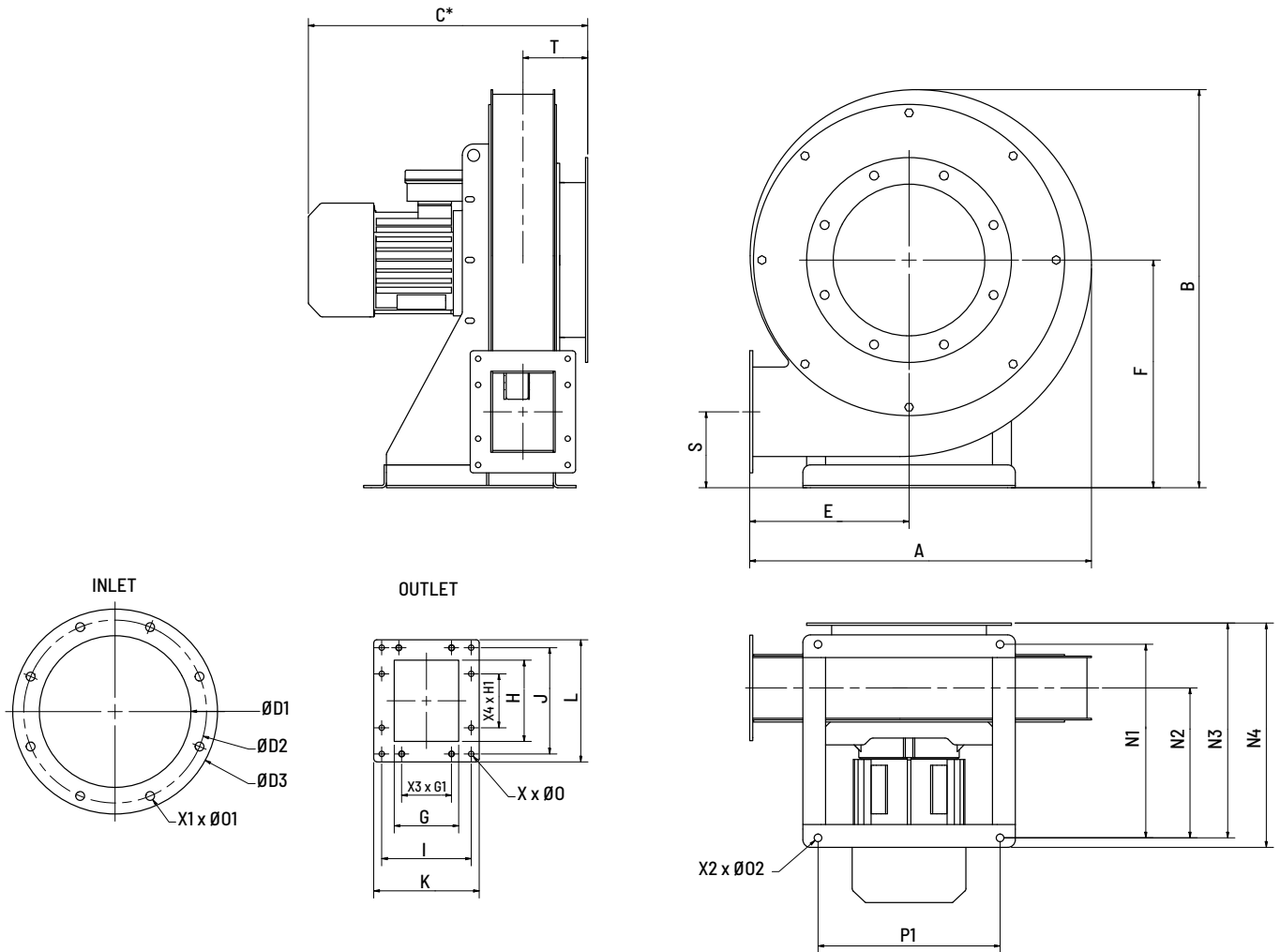
MC	EC	VSD	SR	$\eta\%$	N	kW	m <sup>3</sup> /h	Pa	rpm
B	total	no	1	70,6	71,9	7,57	3 334	5 774	2 900



MC	EC	VSD	SR	$\eta\%$	N	kW	m <sup>3</sup> /h	Pa	rpm
B	total	no	1	70,6	71,9	7,57	3 334	5 774	2 900



DIMENSIONS



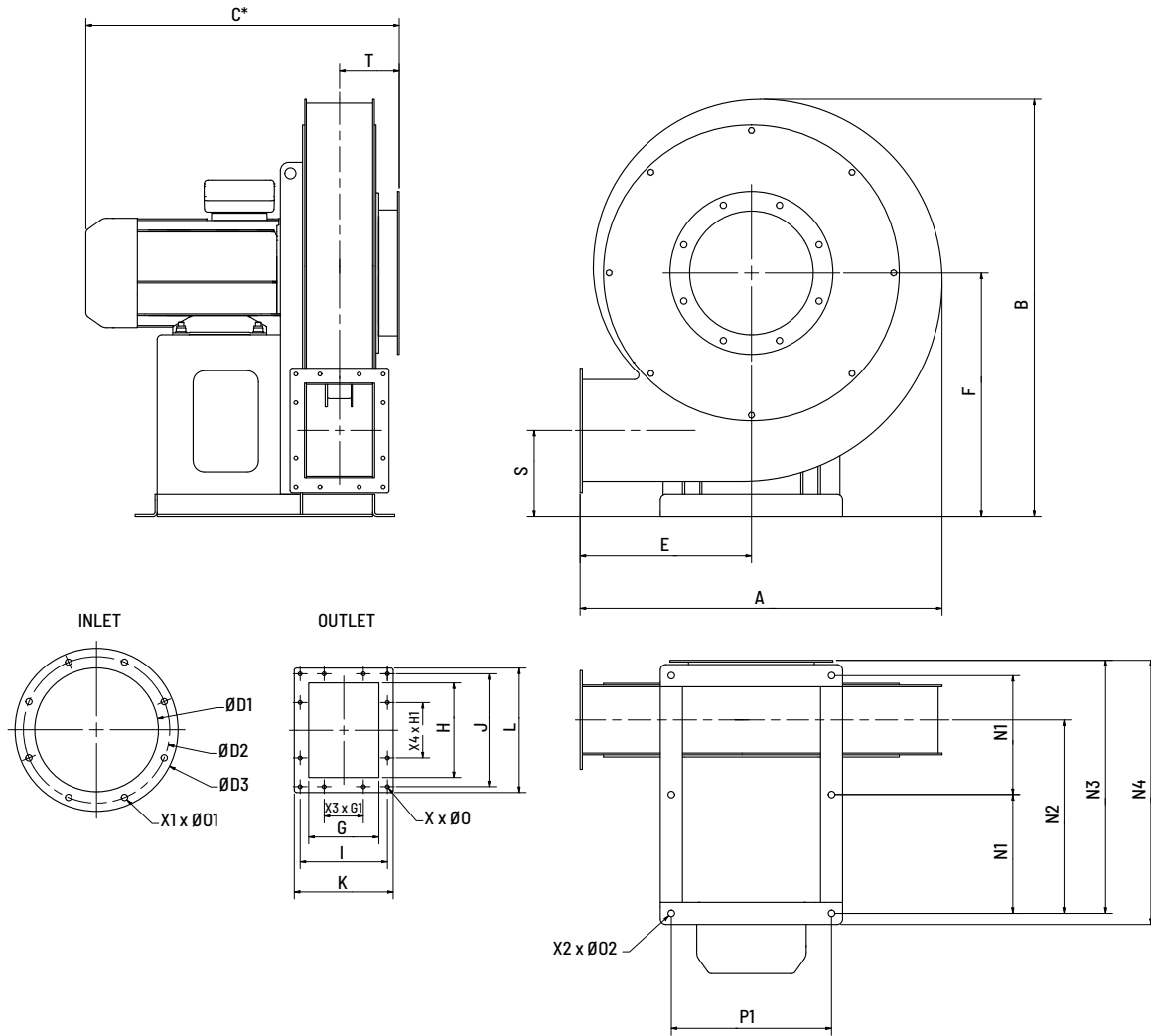
type	A mm	B mm	C* mm	ØD1 mm	ØD2 mm	ØD3 mm	E mm	F mm	G mm	G1 mm	H mm	H1 mm	I mm	J mm	K mm	L mm
MBS-2-020-018T	335	387	279	100	139	165	160	220	53	-	78	-	91	116	113	138
MBS-2-030-025T	359	404	306	160	200	230	180	240	70	-	124	71	108	162	129	183
MBS-2-040-037T	405	459	346	160	200	230	200	260	80	-	100	71	118	138	139	159
MBS-2-075A-055T	451	525	363	160	200	230	210	300	80	-	102	71	118	140	139	161
MBS-2-075-055T	451	525	363	160	200	230	210	300	80	-	102	71	118	140	139	161
MBS-2-110-075T	451	525	369	200	241	270	210	300	80	-	102	71	118	140	139	161
MBS-2-220-150T	570	650	468	200	241	270	270	370	114	71	160	100	152	198	174	220
MBS-2-300-150T	524	596	454	200	241	270	250	340	100	71	124	71	138	162	161	185
MBS-2-350-220T	524	596	454	200	241	270	250	340	100	71	124	71	138	162	161	185

\* dimension for the longest motor version (depending on the motor manufacturer)

type	N1 mm	N2 mm	N3 mm	N4 mm	Ø0 mm	Ø01 mm	Ø02 mm	P1 mm	S mm	T mm	X mm	X1 mm	X2 mm	X3 mm	X4 mm
MBS-2-020-018T	185	141	212	224	7	9,5	10	170	91	71	4	4	4	-	-
MBS-2-030-025T	205	153	232	244	7	11,5	10	190	114	79	8	8	4	-	1
MBS-2-040-037T	225	168	253	265	7	11,5	10	210	99	85	8	8	4	-	1
MBS-2-075A-055T	235	178	262	274	7	11,5	10	220	100	84	8	8	4	-	1
MBS-2-075-055T	235	178	262	274	7	11,5	10	220	100	84	8	8	4	-	1
MBS-2-110-075T	255	198	283	296	7	11,5	10	240	100	84	8	8	4	-	1
MBS-2-220-150T	315	236	340	353	7	11,5	12	270	137	105	12	8	4	1	1
MBS-2-300-150T	315	243	340	353	7	11,5	12	270	119	98	12	8	4	1	1
MBS-2-350-220T	315	243	340	353	7	11,5	12	270	119	98	12	8	4	1	1



DIMENSIONS



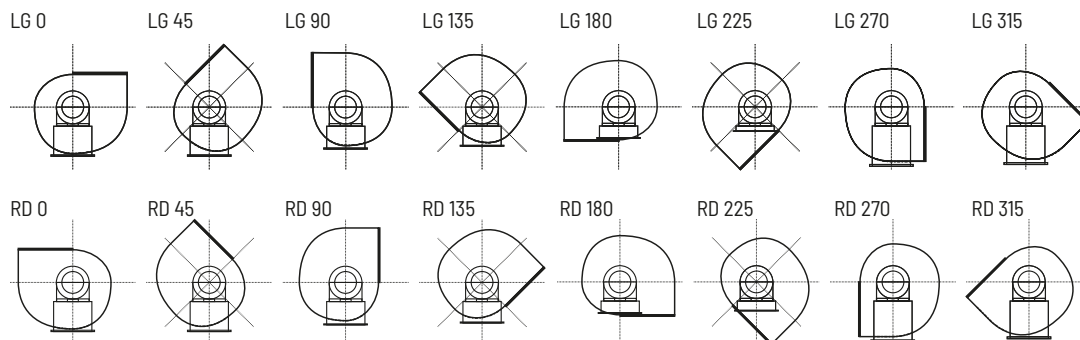
type	A	B	C*	ØD1	ØD2	ØD3	E	F	G	G1	H	H1	I	J	K	L
	mm	mm	mm	mm	mm	mm	mm	mm	mm	mm	mm	mm	mm	mm	mm	mm
MBS-2-400-300T	628	723	567	224	265	295	295	420	120	71	160	100	158	198	179	219
MBS-2-450-400T	655	754	567	224	265	295	310	440	120	71	166	100	158	204	179	225
MBS-2-500-550T	720	826	567	224	265	295	340	480	116	71	183	100	154	221	175	242
MBS-2-600-750T	858	1004	629	224	265	295	397	580	180	100	220	100	218	258	242	282
MBS-2-600-1100T	858	1004	651	224	265	295	397	580	180	100	220	100	218	258	242	282

\* dimension for the longest motor version (depending on the motor manufacturer)

type	N1	N2	N3	N4	Ø0	Ø01	Ø02	P1	S	T	X	X1	X2	X3	X4
	mm	mm	mm	mm	mm	mm	mm	mm	mm	mm	mm	mm	mm	mm	mm
MBS-2-400-300T	210	340	448	468	7	11,5	12	280	145	108	12	8	6	1	1
MBS-2-450-400T	215	350	458	478	7	11,5	12	290	155	108	12	8	6	1	1
MBS-2-500-550T	215	350	458	478	7	11,5	12	300	165	106	12	8	6	1	1
MBS-2-600-750T	282,5	395	535	555	7	11,5	14	380	202	139	12	8	6	1	1
MBS-2-600-1100T	282,5	445	585	605	7	11,5	14	380	202	139	12	8	6	1	1



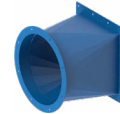
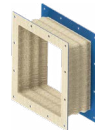
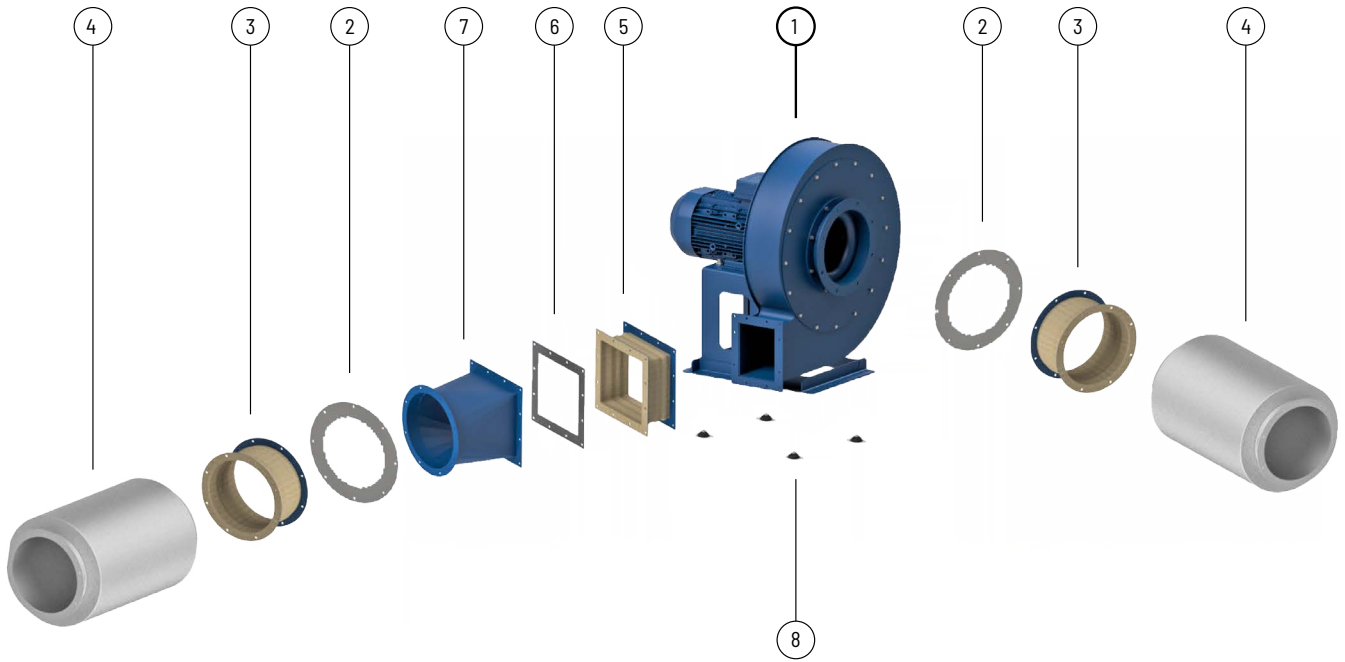
FIGURES







MOUNTING ACCESSORIES



1	2	3	4	5	6	7	8
type	inlet/outlet guard protection grille	circular flexible connector with flange	sound attenuator	rectangular flexible connector	outlet guard protection grille	reduction with flange	vibroisolator
MBS-2-020-018T	SO MBS-020	ZPOK MBS-020	Tłumik MBS-020	ZPP MBS-020	SWY MBS-020	RK MBS-020	4x AVM-20
MBS-2-030-025T	SO MBS-030/040/075	ZPOK MBS-030/040/075	Tłumik MBS-030/040/075	ZPP MBS-030	SWY MBS-030	RK MBS-030	4x AVM-20
MBS-2-040-037T	SO MBS-030/040/075	ZPOK MBS-030/040/075	Tłumik MBS-030/040/075	ZPP MBS-040	SWY MBS-040	RK MBS-040	4x AVM-20
MBS-2-075A-055T	SO MBS-030/040/075	ZPOK MBS-030/040/075	Tłumik MBS-030/040/075	ZPP MBS-075	SWY MBS-075	RK MBS-075	4x AVM-20
MBS-2-075-055T	SO MBS-030/040/075	ZPOK MBS-030/040/075	Tłumik MBS-030/040/075	ZPP MBS-075	SWY MBS-075	RK MBS-075	4x AVM-20
MBS-2-110-075T	SO MBS-110/220/300/350	ZPOK MBS-110/220/300/350	Tłumik MBS-110/220/300/350	ZPP MBS-110	SWY MBS-110	RK MBS-110	4x AVM-20
MBS-2-220-150T	SO MBS-110/220/300/350	ZPOK MBS-110/220/300/350	Tłumik MBS-110/220/300/350	ZPP MBS-220	SWY MBS-220	RK MBS-220	4x AVM-20
MBS-2-300-150T	SO MBS-110/220/300/350	ZPOK MBS-110/220/300/350	Tłumik MBS-110/220/300/350	ZPP MBS-300/350	SWY MBS-300/350	RK MBS-300/350	4x AVM-20
MBS-2-350-220T	SO MBS-110/220/300/350	ZPOK MBS-110/220/300/350	Tłumik MBS-110/220/300/350	ZPP MBS-300/350	SWY MBS-300/350	RK MBS-300/350	4x AVM-20
MBS-2-400-300T	SO MBS-400/450/500/600	ZPOK MBS-400/450/500/600	Tłumik MBS-400/450/500/600	ZPP MBS-400	SWY MBS-400	RK MBS-400	6x AVM-20
MBS-2-450-400T	SO MBS-400/450/500/600	ZPOK MBS-400/450/500/600	Tłumik MBS-400/450/500/600	ZPP MBS-450	SWY MBS-450	RK MBS-450	6x AVM-20
MBS-2-500-550T	SO MBS-400/450/500/600	ZPOK MBS-400/450/500/600	Tłumik MBS-400/450/500/600	ZPP MBS-500	SWY MBS-500	RK MBS-500	6x AVM-20
MBS-2-600-750T	SO MBS-400/450/500/600	ZPOK MBS-400/450/500/600	Tłumik MBS-400/450/500/600	ZPP MBS-600	SWY MBS-600	RK MBS-600	6x AVM-35
MBS-2-600-1100T	SO MBS-400/450/500/600	ZPOK MBS-400/450/500/600	Tłumik MBS-400/450/500/600	ZPP MBS-600	SWY MBS-600	RK MBS-600	6x AVM-35



## MOUNTING ACCESSORIES

### Article numbers

46516610	SO MBS-020	46516622	ZPP MBS-020	46516633	SWY MBS-020	46516650	RK MBS-020	26040960	AVM-20
46516611	SO MBS-030/040/075	46516623	ZPP MBS-030	46516634	SWY MBS-030	46516652	RK MBS-030	26040965	AVM-35
46516612	SO MBS-110/220/300/350	46516624	ZPP MBS-040	46516635	SWY MBS-040	46516654	RK MBS-040		
46516613	SO MBS-400/450/500/600	46516625	ZPP MBS-075	46516636	SWY MBS-075	46516656	RK MBS-075		
46516614	ZPOK MBS-020	46516626	ZPP MBS-110	46516637	SWY MBS-110	46516658	RK MBS-110		
46516615	ZPOK MBS-030/040/075	46516627	ZPP MBS-220	46516638	SWY MBS-220	46516660	RK MBS-220		
46516616	ZPOK MBS-110/220/300/350	46516628	ZPP MBS-300/350	46516639	SWY MBS-300/350	46516662	RK MBS-300/350		
46516617	ZPOK MBS-400/450/500/600	46516629	ZPP MBS-400	46516640	SWY MBS-400	46516664	RK MBS-400		
46516618	Tłumik MBS-020	46516630	ZPP MBS-450	46516641	SWY MBS-450	46516666	RK MBS-450		
46516619	Tłumik MBS-030/040/075	46516631	ZPP MBS-500	46516642	SWY MBS-500	46516668	RK MBS-500		
46516620	Tłumik MBS-110/220/300/350	46516632	ZPP MBS-600	46516643	SWY MBS-600	46516670	RK MBS-600		
46516621	Tłumik MBS-400/450/500/600								

## ELECTRICAL ACCESSORIES



wentylator	falownik L	wyłącznik serwisowy
MBS-2-020-018T	L 0,4 kW	R-S 3-F + SP, 10A
MBS-2-030-025T	L 0,4 kW	R-S 3-F + SP, 10A
MBS-2-040-037T	L 0,4 kW	R-S 3-F + SP, 10A
MBS-2-075A-055T	L 0,75 kW	R-S 3-F + SP, 10A
MBS-2-075-055T	L 0,75 kW	R-S 3-F + SP, 10A
MBS-2-110-075T	L 0,75 kW	R-S 3-F + SP, 10A
MBS-2-220-150T	L 1,5kW	R-S 3-F + SP, 10A
MBS-2-300-150T	L 1,5kW	R-S 3-F + SP, 10A
MBS-2-350-220T	L 2,2kW	R-S 3-F + SP, 10A
MBS-2-400-300T	L 4,0 kW	R-S 3-F + SP, 10A
MBS-2-450-400T	L 4,0 kW	R-S 3-F + SP, 10A
MBS-2-500-550T	L 5,5 kW	R-S 3-F + SP, 16A
MBS-2-600-750T	L 7,5 kW	R-S 3-F + SP, 16A
MBS-2-600-1100T	L 11,0 kW	R-S 3-F + SP, 25A

### Article numbers

40016302	Falownik L 0.4kW	91040908-01	R-S 3-F + SP, 10A
40016312	Falownik L 0.75kW	91040908	R-S 3-F + SP, 16A
40016322	Falownik L 1.5kW	91040910	R-S 3-F + SP, 25A
40016332	Falownik L 2.2kW	91040924	R-S 3-F + SP, 40A
40016352	Falownik L 4.0kW	91040911-03	R-S 3-F + SP, 63A
40016362	Falownik L 5.5kW		
40016372	Falownik L 7.5kW		
40016383	Falownik L 11.0kW		