



HXM-400

APPLICATION

Plate mounted axial flow fans can be mounted in any position and are used for ventilation with a low level of contamination. Ideal for garages, basements, warehouses, e.t.c.

CONSTRUCTION

The fans are manufactured from pressed galvanized steel and protected from corrosion by a beige epoxy-polyester paint finish. All models include a steel fingerproof guard mounted on the inlet side of the fan. Impellers are manufactured from galvanized steel sheet and finished with black polyester paint. Standard air flow direction A - motor over impeller.

MOTOR

HXM-200 to HXM-350: Single phase speed controllable motor 230V-50/60Hz equipped with thermal protection, IP44, Class B insulation, flexible cable (length: 50cm) for connection to the electrical supplies and ball bearings greased for life. HXM-400: External rotor motor, IP44, Class F insulation, fitted with thermal protection and wiring terminal box. Electrical wiring diagram on page 663.



Provided with cable for connection to the electrical supplies

Motor protected from corrosion by epoxy-polyester paint finish. Cable to ease connection to electrical supplies (except for HXM-400 model).

HXM-400 model terminal box

Wiring terminal box including the capacitor.



WWW



DTR



CE

TECHNICAL DATA

Model	speed	maximum absorbed power	maximum absorbed current	maximum air volume	sound pressure level*	working temperature min max	weight	regulator	article number
	[r.p.m.]	[W]	[A]	[m³/h]	[dB(A)]	[°C]	[kg]		
HXM-200	1350	19	0,2	470	39	-15 +40	1,8	TLR 15 DS RVS-1,5	42023010
HXM-250	1380	30	0,4	810	48	-15 +40	2,2	TLR 15 DS RVS-1,5	42023020
HXM-300	1360	41	0,5	1180	48	-15 +40	3,2	TLR 15 DS RVS-1,5	42023030
HXM-350	1340	52	0,6	1680	51	-15 +40	4,3	TLR 15 DS RVS-1,5	42023040
HXM-400	1255	151	0,7	3670	56	-40 +60	9,0	TLR 15 DS RVS-1,5	42023060

* Sound pressure measured in free field condition at 1,5m.

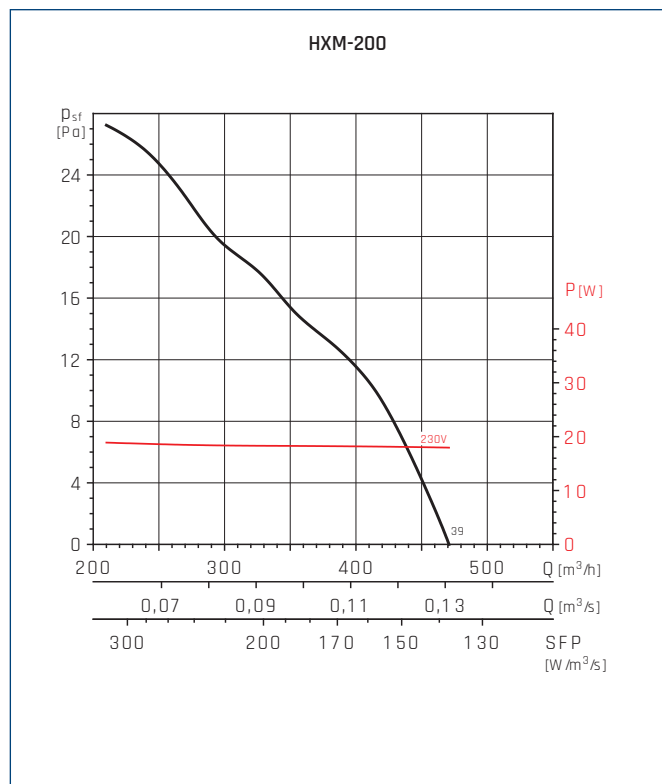
ACOUSTIC CHARACTERISTICS

Model	Frequency [Hz] / dB(A)								
	63	125	250	500	1000	2000	4000	8000	L _{WA}
HXM-200	27	42	48	49	47	45	37	30	54
HXM-250	30	46	55	60	54	51	45	35	62
HXM-300	32	44	53	59	55	53	46	34	62
HXM-350	37	55	60	61	58	56	50	39	66
HXM-400	43	61	63	63	64	63	58	50	70

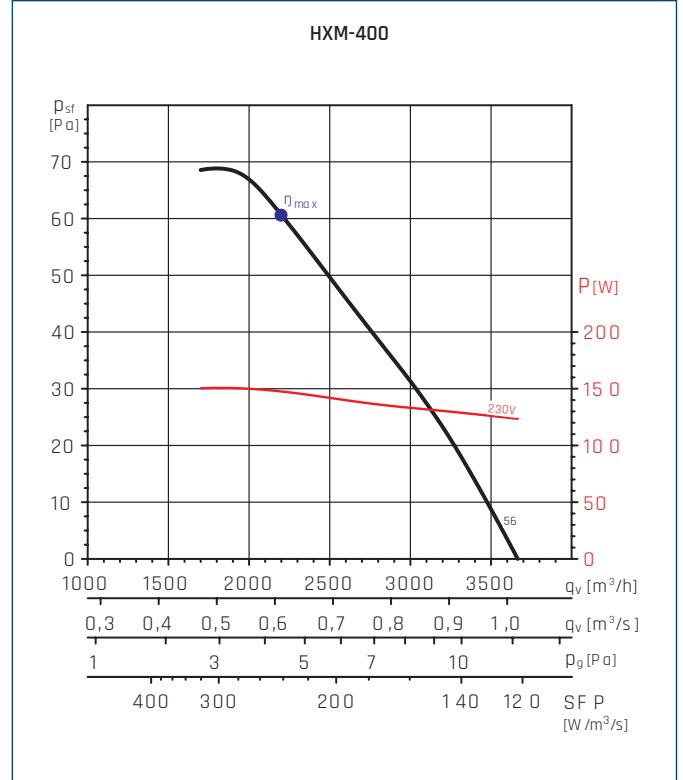
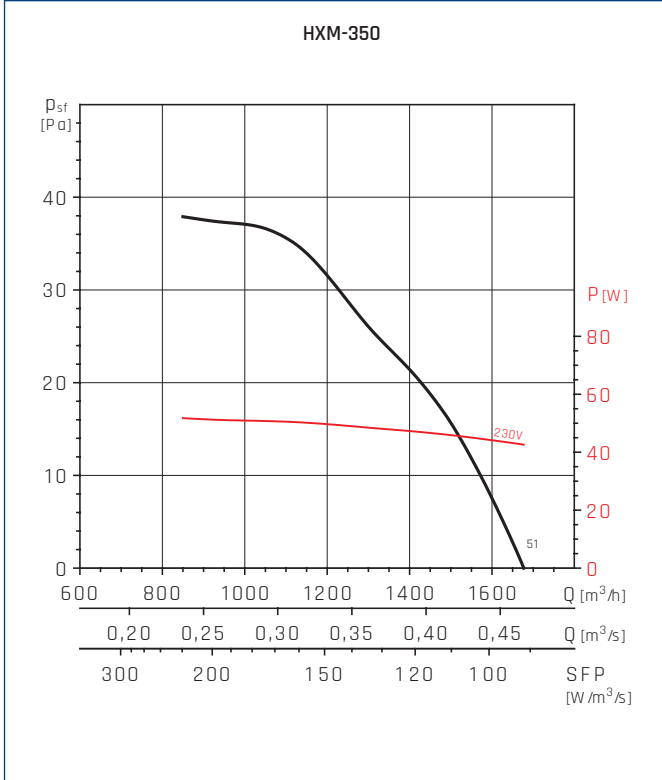
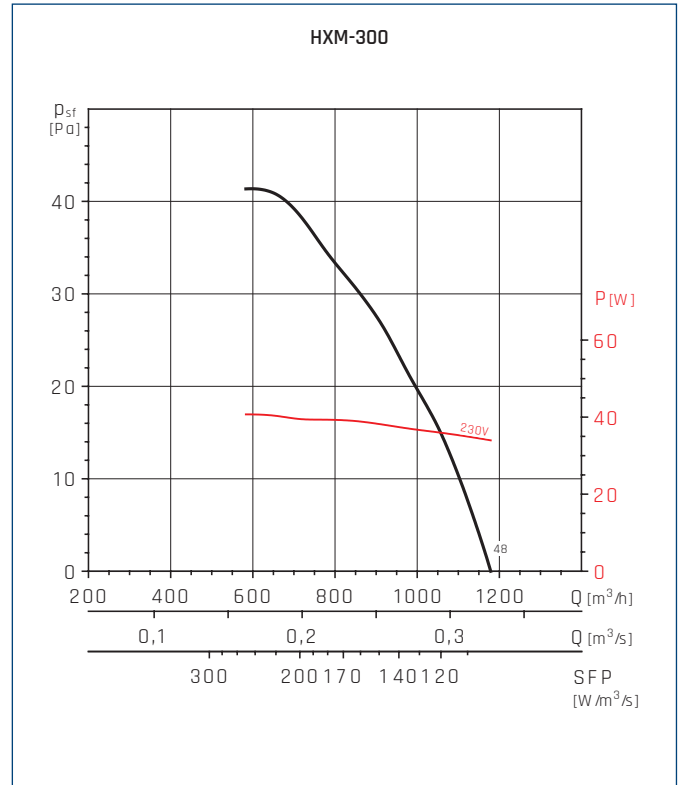
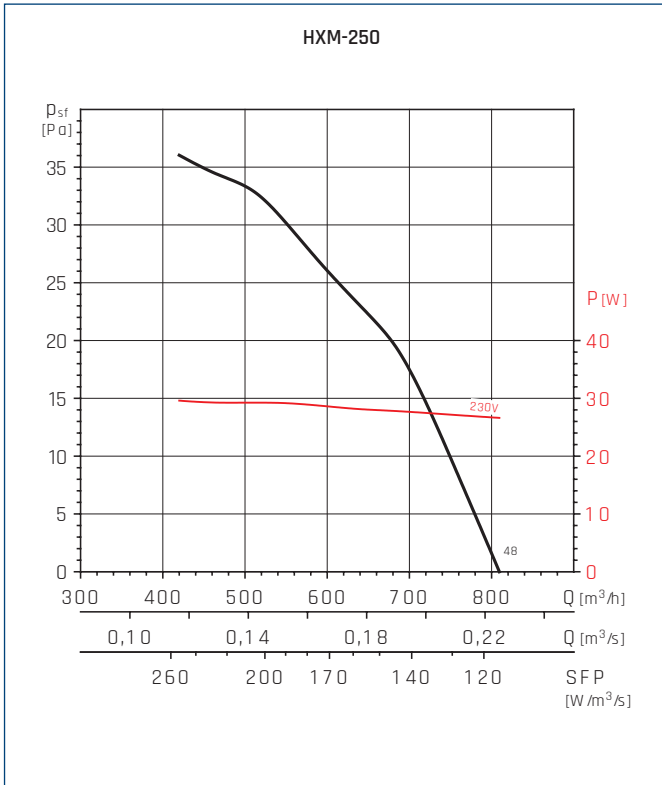
PERFORMANCE CURVES

- q_v : Airflow in m³/h and m³/s.
- p_{st} : Static pressure in Pa.
- p_g : Protection guard pressure drop in Pa.
- SFP: Specific fan power in W/m³/s.
- P: Absorbed power in W.
- Measurement category: A.
- Efficiency category: static.
- Fan efficiency without speed control.
- Fan tested without protection guard.
- Airflow data in accordance with ISO 5801.
- Sound pressure levels in dB(A), measured at 1,5 meters in free field

MC	Measurement category
EC	Efficiency category
VSD	Speed control: supplied with the fan
SR	Specific ratio
η [%]	Efficiency
N	Efficiency grade
[kW]	Absorbed power
[m³/h]	Airflow
[Pa]	Static pressure
[RPM]	Speed



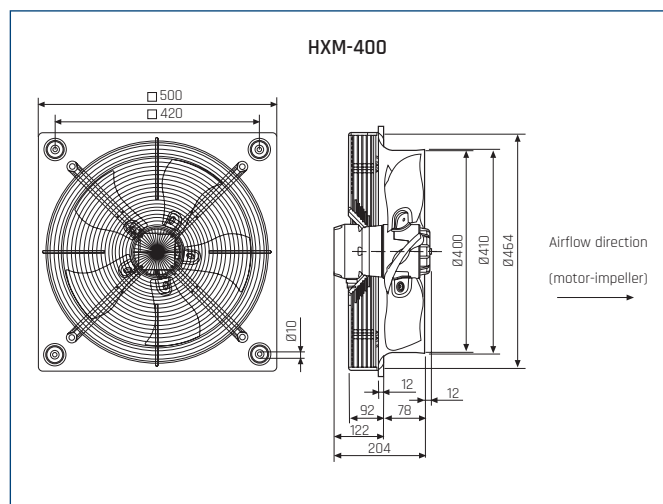
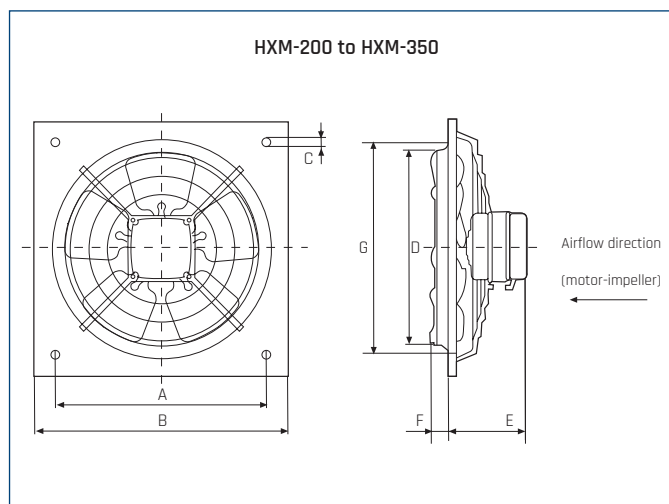
PERFORMANCE CURVES



MC*	EC*	VSD*	SR*	η [%]*	N*	[kW]	[m³/h]	[Pa]	[RPM]
B	Static	No	1	25,1	36,7	0,148	2198	61	1103

● - highest efficiency point.

DIMENSIONS [mm]



Model	A	B	ØC	D	E	F	G
HXM-200	222,5	266	9,5	205	88	19,5	211
HXM-250	275,5	333	9,5	255	99	31,5	261
HXM-300	336,5	400	10,5	305	99	35,5	311
HXM-350	390	465	10,5	361	106	34,5	371

MOUNTING ACCESSORIES

Model	back draft shutters	
	PER-W/N	PER-CN
HXM-200	40520730	-
HXM-250	40520740	40520520
HXM-300	40520750	40520520
HXM-350	40520760	40520520
HXM-400	40520765	40520530



ELECTRICAL ACCESSORIES

Model	wall thermostat	air quality sensor	humidistat	thyristor regulator			11-speed thyristor regulator	2-adjust. 6-speed thyristor regulator	ERV	transformer regulator	
	TS	SQA	HIG-2	REB N	REB NE	TLR	IRF	RND-1		RMB	RVS
HXM-200											
HXM-250											
HXM-300	40025345	40025140	40025150	40025010	40025020	40025025	40015154	40025630	40025046	40025060	40025232
HXM-350											
HXM-400											

