

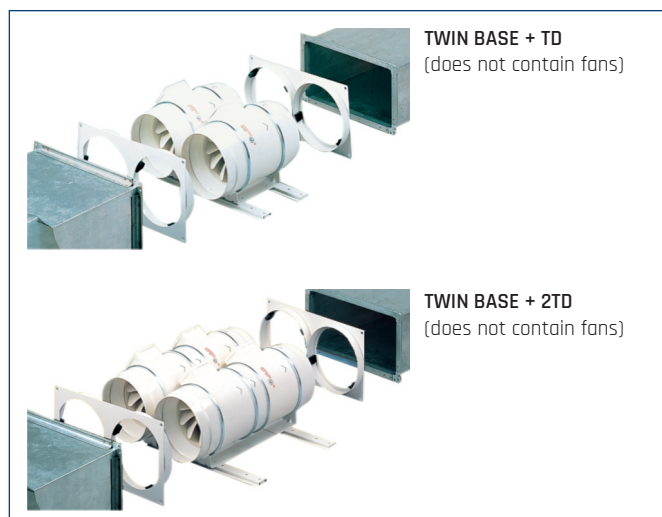


www

APPLICATION

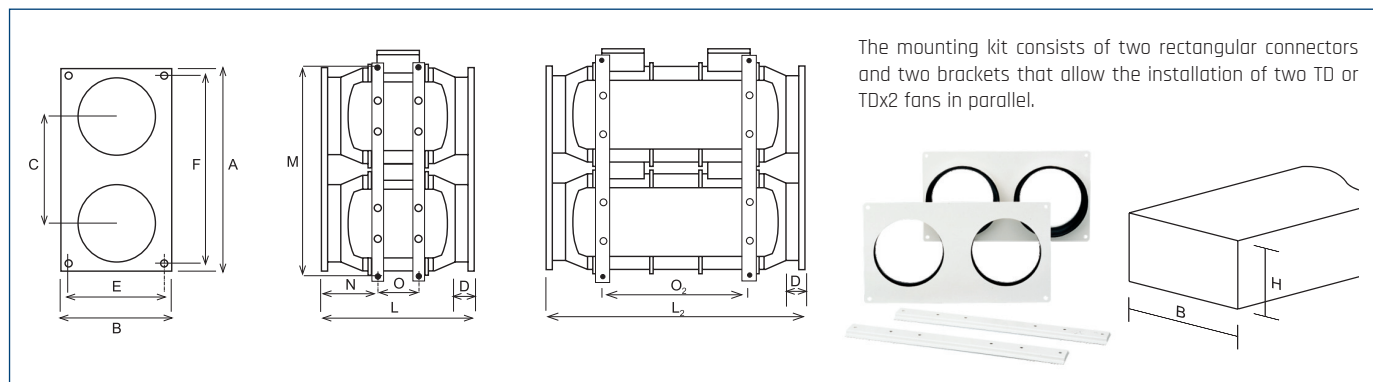
Particularly recommended ventilation system when high airflow is required. The mounting kit allows parallel mounting of two TD single or two TDx2 fans. Adapted with the inlet and outlet of the flanges, will be connected to the rectangular duct.

ASSEMBLY KITS



Type	TD fans	TDx2 fans
TWIN BASE 250	2 TD-160/100	
TWIN BASE 250	2 TD-250/100	
TWIN BASE 350	2 TD-350/125	2 TDx2-350/125
TWIN BASE 500/150	2 TD-500/150	2 TDx2-500/150
TWIN BASE 500/160	2 TD-500/160	2 TDx2-500/160
TWIN BASE 800	2 TD-800/200	2 TDx2-800/200
TWIN BASE 1000	2 TD-1000/250	2 TDx2-1000/250
TWIN BASE 1000	2 TD-1300/250	2 TDx2-1300/250
TWIN BASE 2000	2 TD-2000/315	

DIMENSIONS [mm]



The mounting kit consists of two rectangular connectors and two brackets that allow the installation of two TD or TDx2 fans in parallel.

Type	A	B	C	D	E	F	L	L ₂	M	N	O	O ₂	Dimensions [mm]		Nom. dimensions, duct [mm]	
													B	H	B	H
TWIN BASE 250	320	180	184	36	160	300	305	-	375	113	80	-	320	180	280	140
TWIN BASE 350	320	180	184	33,5	160	300	305	475	333	91	80	253	320	180	280	140
TWIN BASE 500/150	395	220	206	37	200	375	310	481	417	110	80	249	395	220	355	180
TWIN BASE 500/160	395	220	206	37	200	375	290	461	417	100	80	249	395	220	355	180
TWIN BASE 800	440	240	225	37	220	420	317	509	456	103	100	298	440	240	400	200
TWIN BASE 1000	540	290	282	44	270	520	401	679	566	123	145	416	540	290	500	250
TWIN BASE 1300	540	290	282	44	270	520	401	679	566	123	145	416	-	-	-	-
TWIN BASE 2000	690	355	347	53	335	650	451	-	699	136	182	-	690	355	630	315